



ROTAREX
VALVES - REGULATORS - SYSTEMS

TEESING

WE MAKE YOUR TECHNOLOGY WORK

RX04



DIAPHRAGM VALVE

- 100% Helium Leak Test performed
- Assembling, testing & Packaging in cleanroom: Class ISO 4
- Reverse seat design for high life cycle
- Individual serial number for full traceability
- Electropolished surface roughness per SEMI F19 UHP Grade
- Fluid specific seat material as standard options
- Low internal volume
- Constant bleed option available
- 316L VAR® stainless steel double melt per SEMI F20 option available
- Additional Multi-port options
- 270° multiturn handwheel with open/close indicator
- Loto option
- Pneumatic version available
- Indicative switch option

RX04 | HIGH PERFORMANCE UHP LINE VALVES

SPECIFICATIONS

Max. inlet pressure See table below	Pneumatic actuator opening pressure 5 to 7 bar (73 to 102 psig)*	Certified max. Helium outboard leak rate $\leq 1 \times 10^{-9}$ mbar.l/s
Temperature range See table below	Nominal seat diameter 4 mm (0,16")	Certified max. Helium across the seat leak rate (at max. pressure) $\leq 1 \times 10^{-9}$ mbar.l/s
Wetted volume < 1.2 cm ³	Flow capacity (Cv) 0.2	Certified max. Helium inboard leak rate (at max. pressure) $\leq 1 \times 10^{-9}$ mbar.l/s
Burst pressure > 700 bar (10152 psig)		

CONSTRUCTION MATERIAL

	Parts	Material
Wetted parts	Body	SS 316L, VAR
	Seat	PCTFE, PVDF, VESPEL®
	Diaphragm	Phynox®
	Backup diaphragm	Phynox®
Non-wetted parts	Handwheel	Aluminium (QT) or Plastic (MT)
	Actuator Body	SS 316L or Aluminium
	Others	Stainless Steel, Alloys, brass

SURFACE FINISH

S	Ra 0.4 µm (15 µin)
V	Ra 0.25 µm EP (10 µin)

VALVE VERSION / MAX. WORKING PRESSURE

Valve	Max. working pressure
RX04 (LM) Multiturn handwheel ^{1 2}	20 bar
RX04 (HM) Multiturn handwheel ^{1 2}	240 bar
RX04 (LQ) Quarter turn handwheel ¹	20 bar
RX04 (HQ) Quarter turn handwheel ¹	240 bar
RX04 (BP*) Pneumatically actuated	10 bar
RX04 (LP*) Pneumatically actuated ³	20 bar
RX04 (HP*) Pneumatically actuated ³	240 bar

¹ FT (Panel Mounting) option available

² MSF LOTO option available

³ Position indication switch available

TEMPERATURE RANGE

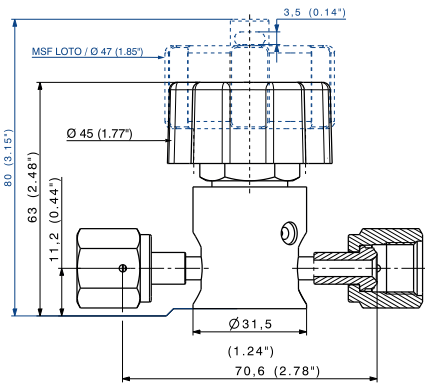
Seat (Actuation type)	Temperature Range
PCTFE / PVDF (manual & pneumatic*)	-40°C to +65°C (-40°F to +149°F)
VespeL® (manual & pneumatic*)	-40°C to +150°C (-40°F to +302°F)

*-20C° pneumatic versions

SCAN ME FOR FLOW CURVES & PRODUCT CONFIGURATOR

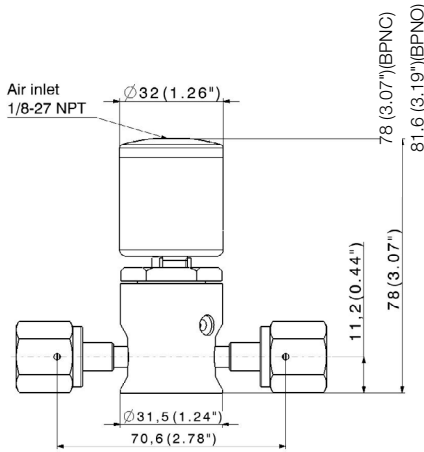


**MULTI-TURN VALVE (LM, HM, MSF)
WITH OPEN/CLOSE WINDOW**



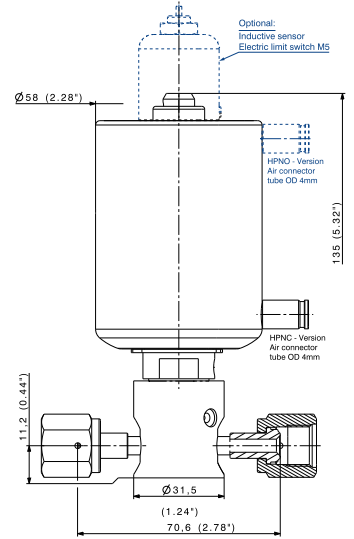
**PNEUMATIC VALVE
MEDIUM PRESSURE (LPNC, LPNO)**

**PNEUMATIC VALVE LOW PRES-
SURE (BPNC, BPNO)**

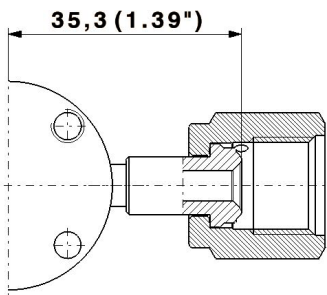
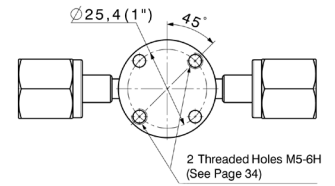
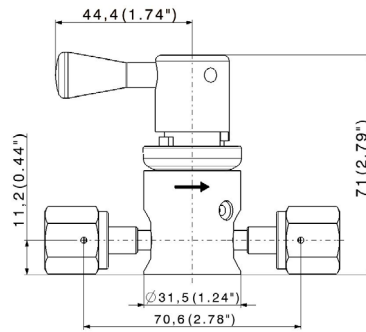
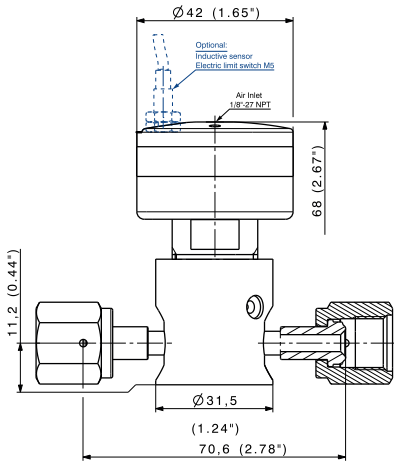


QUARTER-TURN VALVE (LQ, HQ)

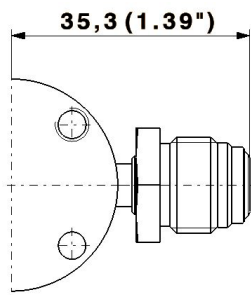
**PNEUMATIC VALVE HIGH
PRESSURE (HPNC, HPNO)**



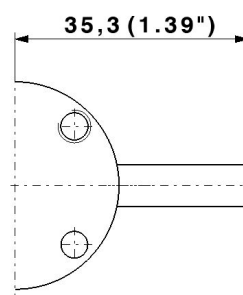
BOTTOM VIEW



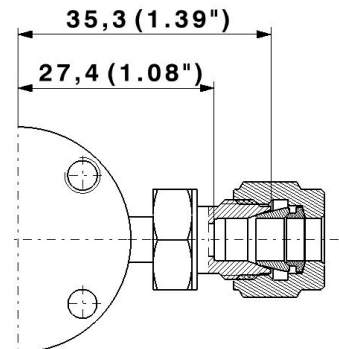
Female (face seal)
Swivel



Male (face seal)
non-Swivel



BWO for
micro-welding head



Compression tube fittings



OPEN/CLOSE INDICATOR

Green - Open
Red - Closed

PRODUCT CONFIGURATOR

	Surface Finish		Max. Delivery Pressure		Porting Configuration ¹		Body Material		Seat Material		End Connection		Options	
RX04	S		LM		2W1		-		K		A/B: B¼			
	Ra 0.4 µm (15 µin)	S	Multi-Turn Handwheel (20bar)	LM	2W1	2W1	SS 316L	-	PCTFE (Kel-F®)	K	Metal face seal ¼" - Female	V ¼ F	Panel Mounting	FT
	Ra 0.25 µm EP (10 µin)	V	Multi-Turn Handwheel (240bar)	HM	2W2	2W2	VAR**	A	PI (Vespel®)	V	Metal face seal ¼" - Male	V ¼ M	Electric limit switch***	CI
			Pneumatically actuated (10 bar)	BP*	3W4	3W4	Monel**	M	PVDF	P	BWO ¼"	B ¼	LOTO	MSF
			Pneumatically actuated (20 bar)	LP*	3W5	3W5	Hastelloy®**	H			BWO 6 mm	B6	Constant bleed	FPT
			Pneumatically actuated (240 bar)	HP*	3W6	3W6					Compression tube fittings	RDB ¼		
			Quarter-Turn Handwheel (20 bar)	LQ	3W8	3W8					Compression tube fittings	RDB 6		
			Quarter-Turn Handwheel (240 bar)	HQ	3W9	3W9								
					4W10	4W10								
					4W11	4W11								

¹ Check configurations here
 * Add NO for normally open or NC for normally closed
 ** On demand
 *** On HP and LP actuators only

WE'RE WORLDWIDE



Brasil * China * France * Germany * India * Indonesia
 Italy * Japan * Luxembourg * Malaysia * Middle East * Mexico
 Philippines * Poland * Singapore * South Korea * Spain
 Thailand * Taiwan * United Kingdom * Usa * Vietnam



WE MAKE YOUR TECHNOLOGY WORK